

ProBuilder Series™ 72 Linear Gas Fireplace



Shown with optional Stone Kit

Boldly Understated

Large spaces and rooms ready for a dynamic statement are perfectly suited for the impressive ProBuilder 72 Linear. It's long lines and refined aesthetics exemplify modern luxury at an affordable price tag. The ProBuilder Series™ 72 Linear features sleek, elegant styling and a contemporary fire viewing area that showcases tall dancing flames. This fireplace is designed to provide comforting radiant heat plus excellent natural convection to homes and living spaces up to 2,250 square feet.



www.fireplacex.com

ProBuilder™ 72 Linear Gas Fireplace



FEATURES YOU'RE GOING TO LOVE

- Available in two models:
 - Standing Pilot Millivolt (no electrical hookup required).
 - GreenSmart® Basic 2 (GSB2).
- 72" W x 15" T tempered glass viewing area.
- Glass barrier screen is flush to wall.
- Easy access gas controls.
- Sleek linear style with beautiful flame presentation.
- Heavy gauge 16-18 steel construction.
- Can operate in a power outage.
- Standard Wall Switch.

OPTIONS

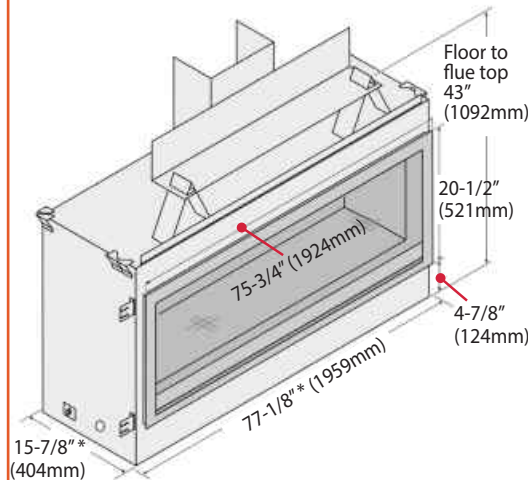


- Optional wall mounted GreenSmart® Basic Remote
- Optional 180 CFM Fan
- Multiple media options:
Colored Glass/Stones and Twigs/Classic Logs
- **NEW** Underlit Media Light Kit and Black Glass Firebacks

SPECIFICATIONS

- Heating Capacity*: Up to 2,250 Sq. Ft.
- Maximum BTU Input (NG/LP):
45,000 Per Hour with 50% turndown.
- P4 Efficiency: GSB2 68% (NG) 66.23% (LP)
MV 67.39% (NG) 65.73% (LP)
- AFUE: 70.7% (NG) 64.6% (LP)
- Weight: 275lbs. (125kg).

*Heating capacity will vary with floor plan, insulation, and outside temperature.

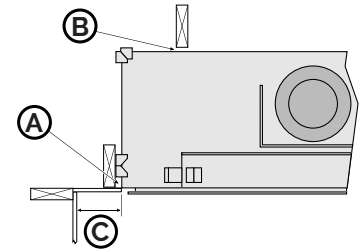


* Includes the required 1/2" clearance

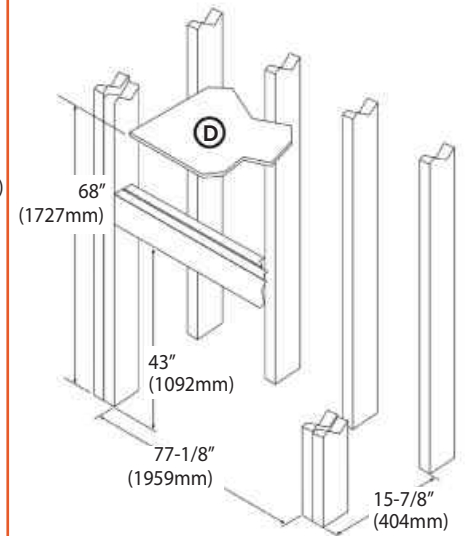
INSTALLATION

Clearances

- (A) To Side of Fireplace 1/2" (13mm).
- (B) To Back of Fireplace 1/2" (13mm).
- (C) 0" clearance to combustible side facing or walls.



Minimum Framing



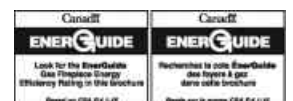
(D) The fireplace enclosure must be a min. 68" (1727mm) tall



www.fireplacex.com

Manufactured By
Travis Industries, Inc.
Mukilteo, WA

Travis Gas Fireplaces. Stoves and Inserts are protected by one or more of the following patents: U.S. 8,469,021, 7,066,170, 6,602,068, 6,443,726, 6,953,037; Canada 2755517 as well as other U.S. and Foreign Patents pending.



98000828 © 2017 T. I.